

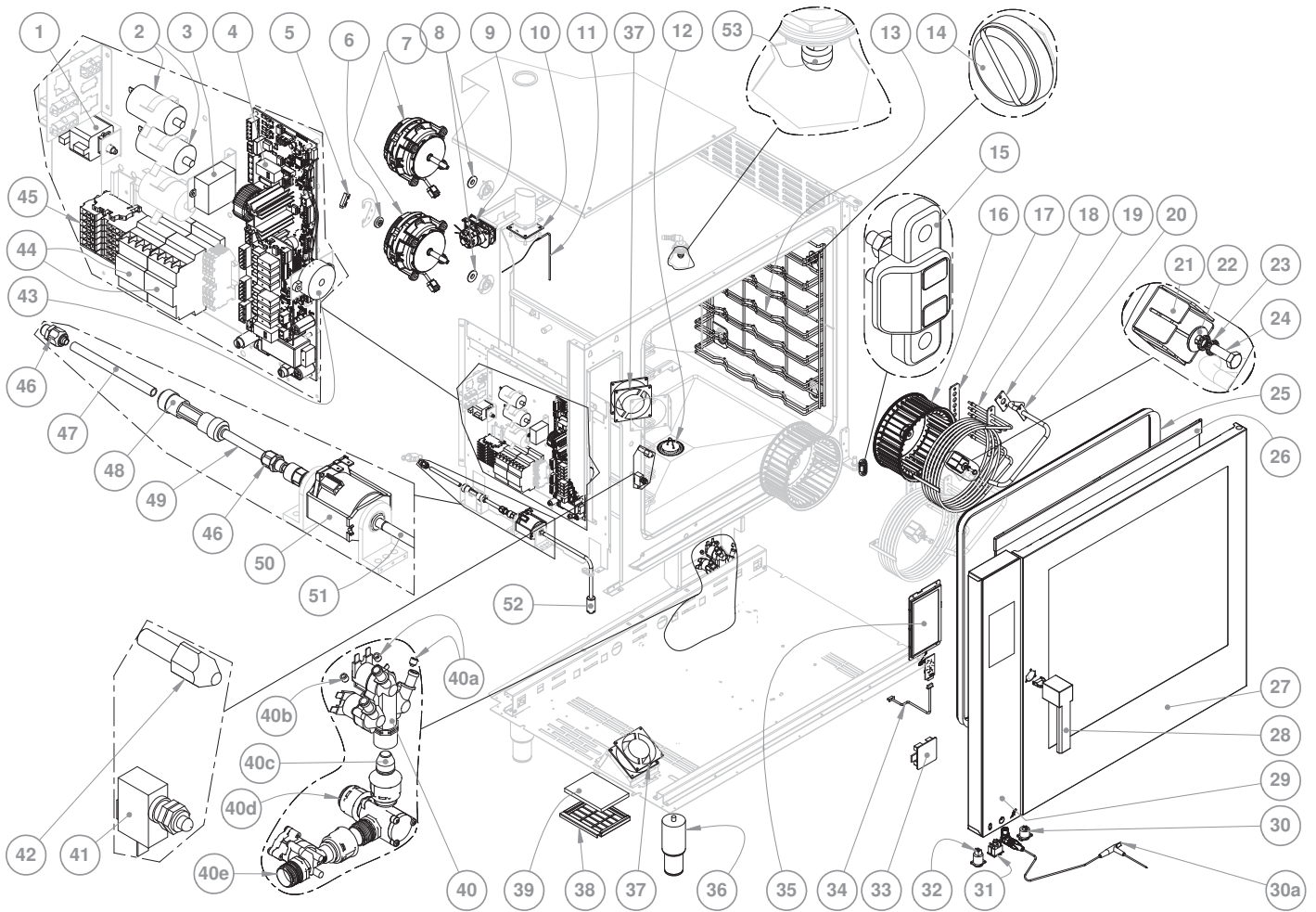
# Exploded view



Explodierte Ansicht | Dessin technique | Rozkres  
Vista en despiece ordenado

MPDN 1011 ERAM

Exploded view 1/2



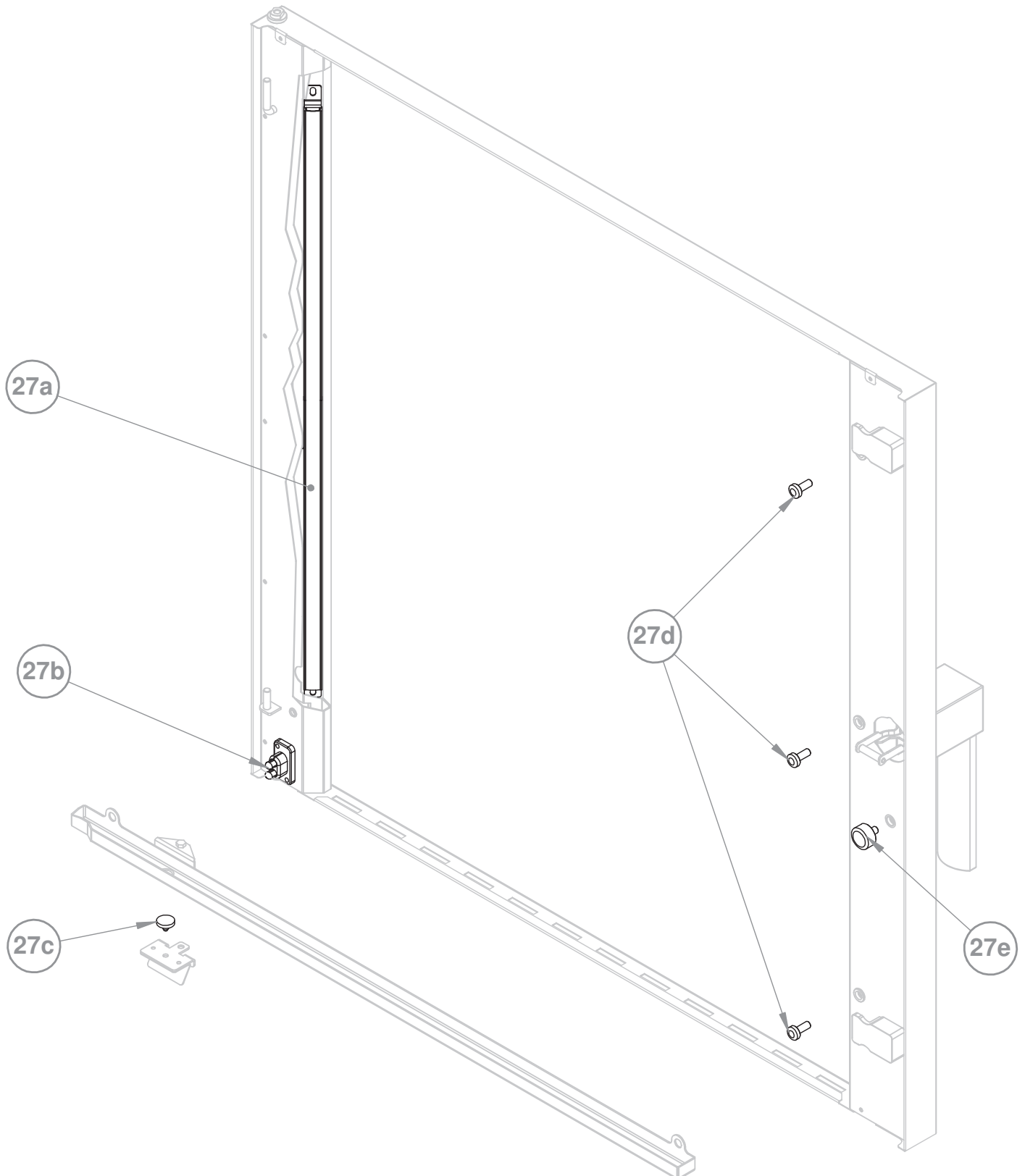
# Exploded view



Explodierte Ansicht | Dessin technique | Rozkres  
Vista en despiece ordenado

MPDN 1011 ERAM

Exploded view 2/2



# Exploded view



## Explodierte Ansicht | Dessin technique | Rozkres Vista en despiece ordenado

MPDN 1011 ERAM

ARTICLE	NUMBER	POSITION
Safety thermostat	6011153	1
Motor capacitor 6mF	6090016	2
Light trasformer	6041099	3
Oven main board	6010226	4
Proximity Hall sensor	6042146	5
Magnet for hall sensor	6042147	6
Motor	6033157	7
Motor shaft seal	6090171	8
Motor for valve	6031017	9
Vent pipe seal	2029878	10
Temperature probe	6000130	11
Drain filter	2018400A	12
Grids rack	2018488A	13
Bearing pin for grids rack	2019624	14
Door light connector	2025251	15
Oven fan 200x88	5901119	16
Heating element seal	2027323	17
Heating element 6000 W 230V	6002111	18
Humidifier pipe seal	2027322	19
Humidifier pipe	2018311	20
Injector	2018414	21
Injector flat washer	5218029	22
Injector serrated washerInjector	5218024	23
Oven fan screw	5111062	24
Black oven seal	7070100	25
Internal glass for door	2028071	26
Complete door RH with glass	2028154	27
Door light	2025342	27a
Door light connector	2025007	27b
Caps for basin	2012707	27c
Galss bumper	2021521	27d
Cap for door microswitch	2022746	27e
Complete Door Handle	2026379	28
Front panel with glass	2029916C	29
Core probe connector	6000127	30
Core probe	6000124	30a
Switch 2x16A	6032033	31
USB 2.0	6060045	32
WiFi module	6010238	33
5-6 way cable L=750mm	6050078	34
Oven Keyboard	6010225	35

# Exploded view



Explodierte Ansicht | Dessin technique | Rozkres  
Vista en despiece ordenado

MPDN 1011 ERAM

ARTICLE	NUMBER	POSITION
Adjustable foot	5900230	36
Fan	6033173	37
Support for air filter	2026370	38
air filter	2026386	39
Solenoid valve for water	6042109	40
Nozzle for humidifying pipe	6042091	40a
Nozzle for washing system	6042115	40b
Check valve	6042128	40c
Water Filter	6042131	40d
Pressure reducing valve	6042130N	40e
Door microswitch	6043080	41
Locking dog	5900124	42
Buzzer	6010182	43
Contactactor 9A	6046033	44
Terminal block	6050646	45
Push-on fitting	7050341	46
PTFE pipe	7090125	47
Double check valve	6042136	48
PE pipe D.6X8	7090128	49
Detergent pump	6042140	50
Detergent pipe	7090132	51
Anti-floating weight	2027354	52
Fitting for washing diffuser	6042143	53